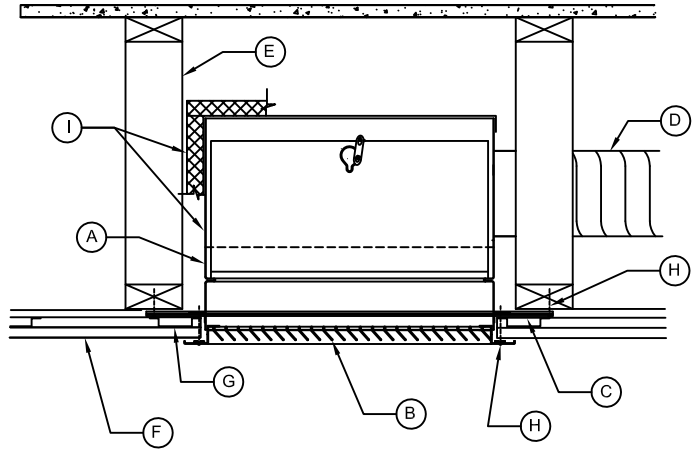


MODEL C-SR-WTP(S)

Field Supplied Plenum Ceiling Radiation Damper
Installation Instructions
(damper into wood truss system with boot rail)

- (A) Damper Assembly
- (B) Grille (Alum. or Steel)
- (C) Boot Rail (factory or field supplied)
- (D) Flex Duct (UL Classified)
- (E) Wood Truss
- (F) $\frac{5}{8}$ " Gypsum Wall Board
- (G) RC Channel
- (H) Fasteners (min. 16d nail, #8 screw or bolt)
- (I) Duct Board Plenum, 22 ga galv. steel plenum, or 26 ga galv. steel plenum with min. 1" wrap insulation

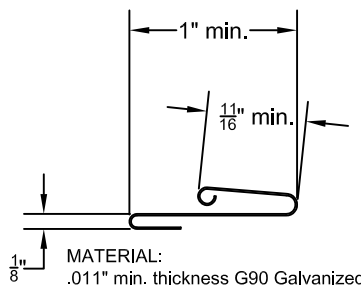
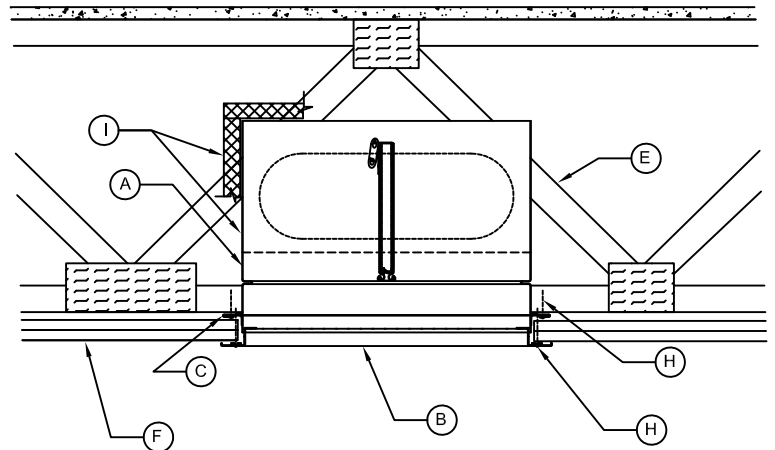


1.) Ceiling penetrations shall be placed between adjacent trusses and RC channels (one RC-Channel may be cut if absolutely necessary to achieve proper damper location and installation). The maximum space between the damper body and the edges of the cutout in the ceiling shall not exceed $\frac{1}{16}$ " on any side.

2.) The grille shall be secured to the damper assembly using min. #8 screws through the recessed drywall flange of the damper (drywall will be between the grille flange and the drywall flange of the damper assembly). Min. 2 fasteners (1 each on opposite sides of the damper) required.

3.) Damper shall be supported with a boot rail, in two places (min.) on opposite sides of the damper. The boot rail shall be fastened at each end of the rail to the trusses with 16d nails, #8 screws or bolts (2" long min.) One connection per end required.

4.) Flex duct must be UL Classified (Class 0 or 1). Flex duct connection must always be done in accordance with with ADC (Air Distribution Council) standard procedure.



Intended for installation in
Fire Resistance Design
Nos. L546, L558, L574,
L585, M520, P533, P538,
P545, P547, & P559.

Additional Notes:

- a.) Addition of horizontal supports must not interfere or adversely affect the structural integrity of the truss system
- b.)Screws, rivets, bolts, nails, etc., used in the installation MUST NOT interfere with damper blade operation.
- c.) Side inlets in field supplied plenums must not exceed 76.12 sq. inches.

Boot Rail (factory or field supplied)

<input type="checkbox"/> MODEL C-SR-WTP(S) Installation Instructions (continued)		
DRAWN BY: CLJ	DATE: 6-26-14	REV. DATE: 7-10-14
REV. NO. 1	APPROVED BY: MD	DWG. NO.: P-93i